



It's Time to Make Gate Safety a Priority

AC Heavy-Duty Industrial
Slide Gate Operator

SL585



Unrivaled Performance, Safety and Accessibility

Built to deliver unsurpassed safety and performance, our 2016 UL Listed Gate Operators and Monitored Safety Entrapment Devices provide peace of mind for every gate application.

NOW INCLUDED:

**Monitored Retro-
Reflective Photo Eye
(LMRRU)**



LiftMaster
ELITE SERIES®

SL585: Setting the New Standard with Best-in-Class Features

Our P3 Motor® is designed to perform in the most demanding environments.

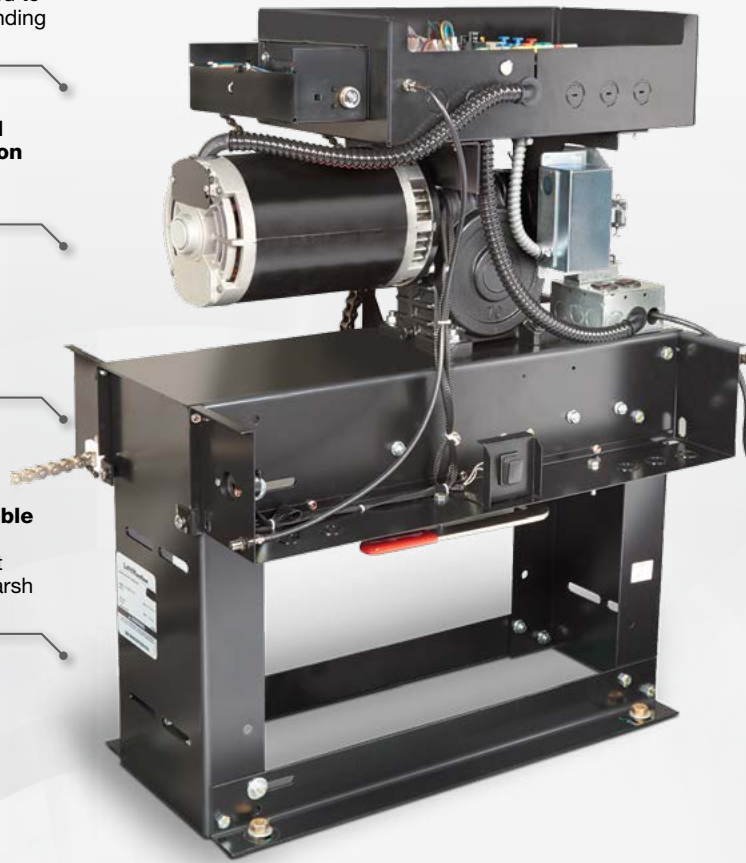
Heavy-Duty Commercial Gear-Driven Transmission provides unsurpassed reliability.

Lockable Manual Disconnect when unlocked allows gate to be operated manually.

Heavy-Duty Steel Lockable NEMA 3R Enclosure oil-tight, weatherproof cabinet withstands extreme and harsh environments.

IDEAL FOR
Heavy-traffic applications such as commercial and industrial properties.

WARRANTY
Two years.



Lockout/Tagout Feature prevents power from being switched on. Safeguards workers from high-voltage power.

Surge Suppression provides industrial surge and lightning protection against strikes up to 50 feet away.

Quick Close/Anti-Tailgate quickly secures property, preventing unauthorized access.

Universal Footprint easily adapts operator to common footprints. Simplifies retrofit applications by adapting to pre-existing pads for Link, Stanley or LiftMaster operators.

Exclusively LiftMaster®: What Sets Us Apart

Security+ 2.0®

Keep traffic flowing with Security+ 2.0® Technology that utilizes a tri-band signal that virtually eliminates interference and offers extended range each time the remote control is used.

myQ®

Securely control and monitor your Gate Operator from anywhere and get activity notifications through the MyQ® app.

P3
MOTORS®

LiftMaster has designed its own purpose built continuous duty motor to meet the exact requirements needed to open and close your gate.

New 2016 UL 325 Gate Guidelines

LiftMaster is committed to helping the industry design, install and service safe gate applications that are tested and certified to meet the most stringent industry safety standards.

What You Need to Know:

- Two monitored safety entrapment protection devices must be installed at each entrapment point, including:
 - The inherent reversing system built in to each LiftMaster Gate Operator
 - LiftMaster Monitored Photo Eyes and/or Edge Sensors*
- Gate operators will now monitor for fault conditions of external entrapment protection devices.
- New regulations go into effect January 2016.



Safety Accessories



Monitored Retro-Reflective Photo Eye (LMRRU)

- Sensing distance up to 50 ft., NEMA 4X.
- Hoods come standard.



Monitored Through-Beam Photo Eyes (LMTBU)

- Wireless network mode eliminates the need to wire between operators in dual-gate applications.
- Sensing distance up to 90 ft., NEMA 4X.
- Hoods come standard.



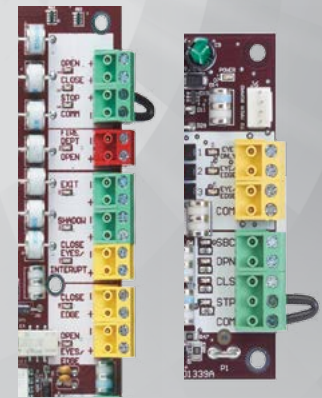
Monitored Wireless Edge Kit (LMWEKITU)

- Low-energy Bluetooth® transmission provides industry-leading battery life (2 years).
- Accepts up to 4 transceivers, 2 resistive edges per transceiver.
- Sensing distance up to 130 ft., NEMA 4X.
- Compatible with LiftMaster Monitored Edges.

***Only LiftMaster Monitored Photo Eyes or Edge Sensors may be used with this operator to meet the 2016 UL 325 Standard.**

Monitored Safety Inputs

Come standard with the SL585.



- Includes 6 Monitored Safety Inputs to cover all entrapment points.

Add to Your System



Plug-in Loop Detector (LOOPDETLM)

Ensures vehicles are easily identified to exit property or interrupt gate travel if a vehicle is in its path.

Power-efficient design uses less power to maximize cycles when operating on Battery Backup.



Internet Gateway (828LM)**

Connects your MyQ®-Enabled Gate Operator to the Internet with this device and the free MyQ app.



Wireless Commercial Keypad (KPW250)

Sleek, zinc-alloy metal front cover is extremely durable. Electronics encapsulated for reliable outdoor use. Compatible with Security+ 2.0®, Security+® and Linear MultiCode®.*** 250-code capacity.



2-Button and 4-Button Security+ 2.0® Learning Remote Controls (892LT/894LT)

Can learn or clone other LiftMaster codes or frequencies.

** Internet Gateway Accessory functionality is dependent on communication with a MyQ®-Enabled Gate Operator. MyQ Technology communication can be limited by distance and type of exterior building materials. A general range estimate is 300 ft.

*** MultiCode is a registered trademark of Nortek Security & Control LLC.

AC Heavy-Duty Industrial Slide Gate Operator

SL585

FEATURES

LED DIAGNOSTIC DISPLAY Simplifies installation and troubleshooting.



DUAL VOLTAGE CONNECTIONS Increase flexibility by enabling the installer to select the required voltage, within phase, to meet job-site requirements.

Voltage is selectable within phases at the time of installation with the placement of a connector.

- Single Phase: 115V, 208V and 230V
- 3 Phase: 208V, 230V and 460V
- 3 Phase: 575V is a discrete model without field-selectable voltage. Includes factory installed heater.

PROGRAMMABLE AUXILIARY RELAYS

Easily add additional features, such as warning lights/alarms.

PRE-MOTION WARNING ALARM Activates on-board alarm three seconds prior to gate motion.

MECHANICAL BRAKING SYSTEM Adds substantial gate position control at all points in travel. This solenoid-actuated brake system also prevents the gate from being back-driven.

MAXIMUM RUN TIMER Protects against damage to the gate and operator by limiting the unit's runtime to 120 seconds.

EXTERNAL ALARM RESET BUTTON Allows for quick reset of the gate operator when the alarm has been activated.

ADJUSTABLE FRICTION CLUTCH Helps to protect gate and operator from damage should the door meet an obstruction.

ANTI-TAILGATE Prevents unauthorized access. Gate will pause when closing as vehicle pulls onto interrupt loop or breaks photo beam. Once vehicle backs up, gate will continue to close.

QUICK CLOSE Closes the gate immediately after a vehicle pulls off the interrupt loop.

HOMELINK® COMPATIBLE Version 4 and higher.

SECURITY+ 2.0® ON-BOARD RADIO RECEIVER

Up to 50 remote controls (unlimited with 811LM/813LM).

SPECIFICATIONS

POWER

115/208/230 VAC.
Single Phase.
208/230/460/575 VAC.
3 Phase.

ACCESSORY POWER

24VAC, 500mA max.

MONITORED SAFETY INPUTS

3 Main Board, 3 Expansion Board.

TEMPERATURE SPECIFICATIONS

Without Heater:
-4°F (-20°C) to 140°F (60°C).
With optional heater (HTRNB:
HTR460 for 460V operators):
-40°F (-40°C) to 140°F (60°C).

UL USAGE CLASSIFICATION

I, II, III, and IV.

GATE TRAVEL SPEED

11 in. per second.

CONSTRUCTION

P3 MOTOR®

High starting torque continuous-duty motor.

OPERATOR DUTY RATING

20 cycles per hour.

CHASSIS

Heavy-duty steel chassis and lockable powder-coated steel cover withstand extreme and harsh environments.

METAL FRAME

7-gauge pre-galvanized steel.

WORM GEAR REDUCTION

20:1 worm gear reducer in synthetic oil bath.

CHAIN

#50 nickel-plated (25 ft. supplied).

COVER

Weather-resistant, lockable, 16-gauge steel.

OPERATOR WEIGHT 240 lbs.

RECOMMENDED CAPACITIES

HP	MAX GATE WT. (lbs.)	MAX GATE WIDTH (ft.) (Overhead/V-Groove)	MAX GATE WIDTH (ft.) (Cantilever)	CYCLES/HR
1/2	1000	45	25	20
1	1600	70	35	20
1 1/2	1900	75	40	20

CGI IS AN ISO9001 REGISTERED COMPANY



CGI reserves the right to make design or specification changes without notice.

ADDITIONAL ACCESSORIES



Internet Protocol Access Control (IPAC)
Easy-to-use touch-screen outdoor access control system.



3-Button Passport MAX Visor Remote Control (PPV3M) Compatible with the IPAC and Passport Receiver (PPWR).



Telephone Entry/Access Control System (EL2000SS) High-capacity entry system.



Universal Single and 3-Button Remote Controls (811LM/813LM) Ideal for applications requiring a large number of remote controls.

